

HENGILL EARTHQUAKE FIELD PROJECT 1991
STATION SERVICE REPORT

ITEM	STATUS	COMMENTS
Station	KATLATSORN	
Date & time (GMT)	H025 01/08/91 DAY 23	15:17
Personnel	Bruce + Michele	
DAS S/N	198	NB - CHANGED LATER - SEE BACK EHT 2A, CABLE 2B
Old disk S/N	5127	
New disk S/N	5020	
Battery voltage	volts? 12.1V	
UTILITIES/DAS STATE	✓	
time accurate?	YES	
KIN OMEGA	NOR	
ACQ	STRT ON	
EVENTS/BLKS US/BLKS AV	1575 637 1920	
Ext clock marks	✓	ACQ STOP OFF - SAW SDDETO CHANGE BATTERY
COMMUNCTNS/STOP ACQ/YES	ok? ✓	
UTILITIES/DAS STATE	ACQ? STOP OFF	UTILITES FORMAT SCSI OK
Swap recording disks	✓	CLEAR RAM OK
Label disks	ok? ✓	DIAGNOSTS ACQ C4 12V OK
Change batt if necessary	YES 12.68V	
UTILITIES/FRMT SCSI/WREN/YES	ok? YES	START ACQ
UTILITIES/CLEAR RAM/YES	ok? YES	KIN UB
DIAGNOSTS/ACQUISITN/C4/12V	ok? YES	QUIT - NOT ON CONT. POWER
MONITOR/S/CH4	ok? -	STOP ACQ
COMMUNCTNS/START ACQ/0/0/YES	✓	SDDETO
KIN OMEGA	NOR	SWITCH SCSI CABLE
ACQ	STRT ON	START ACQ
EVENTS/BLKS US/BLKS AV	1 23 2537	STOP ACQ SDDETO
Ext clock marks	✓	IT'S NOT THE CABLE RECEIVE PARAMETERS
Departure time		CHANGE POWER TO CONTINUOUS POWER SEND PARAMETERS TO DAS
COMMENTS		
CHANGED BATTERY		

Cont overleaf? Y

START ACQ TO TEST SDD^EEOTO PROBLEM

STOP ACQ

STILL HAVE SDD^EEOTO MESSAGE.

CHANGE DAS 'S/N 375

SEND PARAMETERS TO DAS

UTILITIES / FRMT SCSI / WREN / YES OK

CLEAR RAM / YES OK

DIAGNOSTS / ACQUISITN / CH4 / 12V OK

START ACQ KIN JU 600 TO TEST SDD^EEOTO PROBLEM

CONT PWR SCI

ACQ STRT ON

EVENTS / BLKS US / BLKS AV ~ 1 / 33 / 2522

STOP ACQ ~ STILL HAVE SDD^EEOTO

START ACQ KIN JU 600

CONT. PWR SCI

ACQ STRT ON

EVENTS / BLKS US / BLKS AV - 2 / 86 / 2474

LEFT AT 16:12.

HENGILL EARTHQUAKE FIELD PROJECT 1991
STATION SERVICE REPORT

ITEM	STATUS	COMMENTS
Station	North Station	
Date & time (GMT)	2/6 18:14	
Personnel	Berni	
DAS S/N	375	F EHT IC cable IC
Old disk S/N	5020	
New disk S/N	5221	
Battery voltage	volts? 12.47	
UTILITIES/DAS STATE	✓	
time accurate?	Yes	
KIN OMEGA	Not	cont pwr SCSI
ACQ	start off	
EVENTS/BLKS US/BLKS AV	15/2560/0	
Ext clock marks	—	
COMMUNCTNS/STOP ACQ/YES	ok? ✓	→ SYS ERROR, DRIVE FAILURE
UTILITIES/DAS STATE	ACQ? stop off	OR TIMEOUT
Swap recording disks	✓	DAS STATE 15/2560/0 SCSI CABLE WAS CONNECTED TO
Label disks	ok? ✓	SCSI B.
Change batt if necessary	NO	
UTILITIES/FRMT SCSI/WREN/YES	ok? ✓	
UTILITIES/CLEAR RAM/YES	ok? ✓	I didn't change battery's
DIAGNOSTS/ACQUISITN/C4/12V	ok? ✓	but DEACT/ACQ/C4 said off
MONITOR/5/CH4	ok? —	
COMMUNCTNS/START ACQ/0/0/YES	✓	
KIN OMEGA	NOR	CONT PWR SCSI
ACQ	start on	
EVENTS/BLKS US/BLKS AV	1/26/2534	increasing
Ext clock marks	—	
Departure time	1825	
COMMENTS	—	
		HEAVY RAIN GOD DAMMIT! SHORTED EHT PLUG MISST MC

Cont overleaf?

HENGILL EARTHQUAKE FIELD PROJECT 1991
STATION SERVICE REPORT

ITEM	STATUS	COMMENTS
Station	H025	Kallatjōti
Date & time (GMT)	219 2116	EHT 2a + cable 2c
Personnel	Benni	
DAS S/N	375	
Old disk S/N	5221	Small disk
New disk S/N	5126	Big NERC (d-3)
Battery voltage	volts? 12.25V	
UTILITIES/DAS STATE	✓	
time accurate?	yes	
KIN OMEGA	NOR	cont pwr sci
ACQ	start on	
EVENTS/BLKS US/BLKS AV	918/1188/1372	
Ext clock marks	—	
COMMUNCTNS/STOP ACQ/YES	ok? ✓	
UTILITIES/DAS STATE	ACQ? stop off	
Swap recording disks	✓	The Big disk is horizontal!
Label disks	ok? ✓	
Change batt if necessary	yes, 12.57V	Big batt - XXXXXXXXXX XXXXXXXXXX
UTILITIES/FRMT SCSI/WREN/YES	ok? -N	
UTILITIES/CLEAR RAM/YES	ok? ✓	
DIAGNOSTS/ACQUISITN/C4/12V	ok? ✓	
MONITOR/5/CH4	ok? —	
COMMUNCTNS/START ACQ/0/0/YES	J	
KIN OMEGA	NOR	cont pwr sci
ACQ	start on	
EVENTS/BLKS US/BLKS AV	1/17/2543	
Ext clock marks	—	
Departure time	21:35	
COMMENTS	—	
		Cont overleaf?

HENGILL EARTHQUAKE FIELD PROJECT 1991
STATION SERVICE REPORT

ITEM	STATUS	COMMENTS
Station	H025 KATLATJÖRN	H025
Date & time (GMT)	14 Aug 1255	DAY 226
Personnel	BS+BH	
DAS S/N	375	EHT 2B CABLE 5
Old disk S/N	5126	
New disk S/N	5052	
Battery voltage	volts? 12.12	
UTILITIES/DAS STATE		
time accurate?	Y	
KIN OMEGA	NOR	
ACQ	STRT ON	EP SCI
EVENTS/BLKS US/BLKS AV	1987/499/2058	
Ext clock marks	—	
COMMUNCTNS/STOP ACQ/YES	ok? Y	
UTILITIES/DAS STATE	ACQ? STOP OFF	
Swap recording disks	✓	
Label disks	ok? ✓	
Change batt if necessary	✓	12.62 V BIG BATTERY
UTILITIES/FRMT SCSI/WREN/YES	ok? Y	
UTILITIES/CLEAR RAM/YES	ok? ✓	
DIAGNOSTS/ACQUISITN/C4/12V	ok? ✓	
MONITOR/5/CH4	ok? —	
COMMUNCTNS/START ACQ/0/0/YES	✓	
KIN OMEGA	500	
ACQ	STRT ON	EP SCI
EVENTS/BLKS US/BLKS AV	1/20/2540	
Ext clock marks	—	
Departure time	1308	ADDED EHT PLUG
COMMENTS		
		Cont overleaf?

HENGILL EARTHQUAKE FIELD PROJECT 1991
STATION SERVICE REPORT

ITEM	STATUS	COMMENTS
Station	H025	Katlatjörn H025
Date & time (GMT)	Aug. 17 - 17:51	Day 229
Personnel	K. HODGKINSON B. K. JULIAN	
DAS S/N	375	EHT 4C cable 4
Old disk S/N	5052	small disk
New disk S/N	5196	small disk
Battery voltage	volts? 12.42	large battery
UTILITIES/DAS STATE	✓	
time accurate?	Y	
KIN OMEGA	NORWAY	
ACQ	start on	CP SCI
EVENTS/BLKS US/BLKS AV	935/656/1904	
Ext clock marks	—	
COMMUNCTNS/STOP ACQ/YES	ok? Y	
UTILITIES/DAS STATE	ACQ? stop off	
Swap recording disks	Y	
Label disks	ok? Y	
Change batt if necessary	N	
UTILITIES/FRMT SCSI/WREN/YES	ok? Y	
UTILITIES/CLEAR RAM/YES	ok? ✓	
DIAGNOSTS/ACQUISITN/C4/12V	ok? ✓	
MONITOR/5/CH4	ok? —	
COMMUNCTNS/START ACQ/0/0/YES		
KIN OMEGA	NORWAY	
ACQ	START ON	CP SCI
EVENTS/BLKS US/BLKS AV	1/17/2543	
Ext clock marks	—	
Departure time	18:05	
COMMENTS		
<u>RESISTANCE OF SENSORS</u>		
CHANNEL 1: 4360 ohms		Cont overleaf?
CHANNEL 2: 4290 ohms		
CHANNEL 3: 4380 ohms		

HENGILL EARTHQUAKE FIELD PROJECT 1991
STATION SERVICE REPORT

ITEM	STATUS	COMMENTS
Station	KATLATJORN	
Date & time (GMT)	23 : 2055	
Personnel	Gill + Bruce	
DAS S/N	375	
Old disk S/N	5196	
New disk S/N	210	SMALL DISK
Battery voltage	volts? 12.22	
UTILITIES/DAS STATE	✓	
time accurate?	yes	
KIN OMEGA	5	cont pow sci
ACQ	stop on	
EVENTS/BLKS US/BLKS AV	624/1263/1297	
Ext clock marks	—	
COMMUNCTNS/STOP ACQ/YES	ok? ✓	
UTILITIES/DAS STATE	ACQ? stop off	Monitor:
Swap recording disks	✓ ←	Ch1 30/7 noisy + small signal
Label disks	ok? ✓	Ch2 415/-546 OK
Change batt if necessary	12.53B	Ch3 2378/-1820 (v. dist) 21625/-21405
UTILITIES/FRMT SCSI/WREN/YES	ok? ✓	Ch1 (very violent) 10817-1449
UTILITIES/CLEAR RAM/YES	ok? ✓	Ch1 definitely bad.
DIAGNOSTS/ACQUISITN/C4/12V	ok? ✓	change sensor:
MONITOR/5/CH4	ok? —	Old sensor sensor plug up + no connected. Same fault!
COMMUNCTNS/START ACQ/0/0/YES	✓	must be DAS! Old sensor re-burned.
KIN OMEGA	500	
ACQ	stop on	
EVENTS/BLKS US/BLKS AV	1/29/2531	
Ext clock marks	—	
Departure time	21 27	
COMMENTS		
New DAS needed.		Cont overleaf?

HENGILL EARTHQUAKE FIELD PROJECT 1991
STATION SERVICE REPORT

ITEM	STATUS	COMMENTS
Station	Rattatjorn	
Date & time (GMT)	232:1531	
Personnel	GM	
DAS S/N	375	→ NEW DAS # 276 put on
Old disk S/N	210	
New disk S/N	—	
Battery voltage	volts? 12.64	
UTILITIES/DAS STATE	✓	
time accurate?	yes	
KIN OMEGA	LIB	
ACQ	strton	
EVENTS/BLKS US/BLKS AV	220/171/2	37%
Ext clock marks	—	
COMMUNCTNS/STOP ACQ/YES	ok? ✓	
UTILITIES/DAS STATE	*ACQ? stop off	Prms received from old DAS. New DAS (NERC DAS) off. Alutiv put on (# 276)
Swap recording disks	NO	Prms sent.
Label disks	ok? —	
Change batt if necessary	NO	DOPS. Forgot to deactivate strton 2. strton 2 deactivated + prms sent again
UTILITIES/FRMT SCSI/WREN/YES	ok? NO	
UTILITIES/CLEAR RAM/YES	ok? ✓	
DIAGNOSTS/ACQUISITN/C4/12V	ok? ✓	
MONITOR/5/CH4	ok? —	→ time corrected
COMMUNCTNS/START ACQ/0/0/YES	✓	Monitor: ch1 1954/-1419 OK! ch2 1971/-1966 OK! ch3 2065/-1427 OK!
KIN OMEGA	500	
ACQ	strton	
EVENTS/BLKS US/BLKS AV	1/12/500	All look pretty good too!
Ext clock marks	—	
Departure time	1549 1603	all ok then (after coffee)
COMMENTS	—	
NERC DAS put on. Power cable replaced - low		led gm H4

Cont overleaf?

HENGILL EARTHQUAKE FIELD PROJECT 1991
STATION SERVICE REPORT

ITEM	STATUS	COMMENTS
Station	Katlatjörn	
Date & time (GMT)	234: 2145	
Personnel	Jim + Bruce	EHT 1A Cable 2C
DAS S/N	176	
Old disk S/N	210	
New disk S/N	113	
Battery voltage	volts? 12.35	
UTILITIES/DAS STATE	✓	
time accurate?	YES	
KIN OMEGA	NOR	
ACQ	stop	cont. pwr sci
EVENTS/BLKS US/BLKS AV	647/116/396	
Ext clock marks	—	
COMMUNCTNS/STOP ACQ/YES	ok? ✓	
UTILITIES/DAS STATE	ACQ? stop off	
Swap recording disks	✓	
Label disks	ok? ✓	
Change batt if necessary	NO	
UTILITIES/FRMT SCSI/WREN/YES	ok? ✓	
UTILITIES/CLEAR RAM/YES	ok? ✓	
DIAGNOSTS/ACQUISITN/C4/12V	ok? ✓	
MONITOR/S/CH4	ok? —	
COMMUNCTNS/START ACQ/0/0/YES	✓	
KIN OMEGA	NOR	
ACQ	stop in	cont. pwr sci
EVENTS/BLKS US/BLKS AV	111/501	
Ext clock marks	—	
Departure time	2151	
COMMENTS	←	
		Cont overleaf?

HENGILL EARTHQUAKE FIELD PROJECT 1991
STATION SERVICE REPORT

ITEM	STATUS	COMMENTS
Station	Vatlatjorn	EHT 2A 1A cable 4
Date & time (GMT)	237	I couldn't communicate with
Personnel	BH	EHT 2A and cable? It
DAS S/N	276	worked with EHT 1A and
Old disk S/N	113	cable 4
New disk S/N		small
Battery voltage	volts? 12.17	small
UTILITIES/DAS STATE	v	big
time accurate?	yes	
KIN OMEGA	NOV	8P 5 C
ACQ	start on	
EVENTS/BLKS US/BLKS AV	792 / 137 / 3.72	
Ext clock marks	—	
COMMUNCTNS/STOP ACQ/YES	ok? v	
UTILITIES/DAS STATE	ACQ? stop off	
Swap recording disks	v	
Label disks	ok? v	
Change batt if necessary	yes 12.58V	Big
UTILITIES/FRMT SCSI/WREN/YES	ok? v	
UTILITIES/CLEAR RAM/YES	ok? v	
DIAGNOSTS/ACQUISITN/C4/12V	ok? v	
MONITOR/5/CH4	ok? —	
COMMUNCTNS/START ACQ/0/0/YES	v	
KIN OMEGA	500	CP 5 C
ACQ	start on	
EVENTS/BLKS US/BLKS AV	1 / 11 / 501	incr
Ext clock marks	—	
Departure time	1610	
COMMENTS	—	
		Cont overleaf?

HENGILL EARTHQUAKE FIELD PROJECT 1991
STATION SERVICE REPORT

ITEM	STATUS	COMMENTS
Station	KATHSON	
Date & time (GMT)	240 -	
Personnel	Brule / Kath.	
DAS S/N	276	
Old disk S/N	5198	
New disk S/N	5014	
Battery voltage	volts? 12.3	
UTILITIES/DAS STATE		
time accurate?	✓	
KIN OMEGA	NOI2	
ACQ	STR7 ON	C.P.S.
EVENTS/BLKS US/BLKS AV	931/162/350	
Ext clock marks	—	
COMMUNCTNS/STOP ACQ/YES	ok? ✓	
UTILITIES/DAS STATE	ACQ? STOP OFF	
Swap recording disks		
Label disks	ok? ✓	
Change batt if necessary	✓	New battery - large 12.58-
UTILITIES/FRMT SCSI/WREN/YES	ok? ✓	
UTILITIES/CLEAR RAM/YES	ok? ✓	
DIAGNOSTS/ACQUISITN/C4/12V	ok? ✓	
MONITOR/5/CH4	ok? -	
COMMUNCTNS/START ACQ/0/0/YES	✓	
KIN OMEGA	K 500	C.P.S.
ACQ	STR7 ON	
EVENTS/BLKS US/BLKS AV	1/26/496	
Ext clock marks		
Departure time	21:54	
COMMENTS		
		Cont overleaf?

HENGILL EARTHQUAKE FIELD PROJECT 1991
STATION SERVICE REPORT

ITEM	STATUS	COMMENTS
Station	Lallahstn	EHT 2A c4
Date & time (GMT)	243 1/10	
Personnel	3+1	
DAS S/N	276	None
Old disk S/N	5014	Small
New disk S/N	5010	small
Battery voltage	volts? 12.5	Big
UTILITIES/DAS STATE	✓	
time accurate?	yes	
KIN OMEGA	Not	CPSC
ACQ	start on	
EVENTS/BLKS US/BLKS AV	807/158/351	
Ext clock marks	✓	
COMMUNCTNS/STOP ACQ/YES	ok? ✓	
UTILITIES/DAS STATE	ACQ? stop off	
Swap recording disks	✓	
Label disks	ok? ✓	
Change batt if necessary	no	
UTILITIES/FRMT SCSI/WREN/YES	ok? ✓	
UTILITIES/CLEAR RAM/YES	ok? ✓	
DIAGNOSTS/ACQUISITN/C4/12V	ok? left off	
MONITOR/5/CH4	ok? -	
COMMUNCTNS/START ACQ/0/0/YES	✓	
KIN OMEGA	Not	CPSC
ACQ	start on	
EVENTS/BLKS US/BLKS AV	1/11/501	incl
Ext clock marks	-	
Departure time	1722	
COMMENTS	-	
		Cont overleaf?

HENGILL EARTHQUAKE FIELD PROJECT 1991
STATION SERVICE REPORT

ITEM	STATUS	COMMENTS
Station	Kattafjörin	EHT 2A cable 5
Date & time (GMT)	246 1145	
Personnel	BH	
DAS S/N	276	NOX
Old disk S/N	5010	small
New disk S/N	113	small
Battery voltage	volts? 12.30V	Big
UTILITIES/DAS STATE	✓	
time accurate?	YES	
KIN OMEGA	NOX	CPSC
ACQ	SHUT OFF	
EVENTS/BLKS US/BLKS AV	8 / 512 / 0	
Ext clock marks	—	
COMMUNCTNS/STOP ACQ/YES	ok? ✓	SDDEOT Receive Prms + Save Prms
UTILITIES/DAS STATE	ACQ? stop off	
Swap recording disks	✓	
Label disks	ok? ✓	
Change batt if necessary	NO	
UTILITIES/FRMT SCSI/WREN/YES	ok? ✓	EHT / A CH
UTILITIES/CLEAR RAM/YES	ok? ✓	
DIAGNOSTS/ACQUISITN/C4/12V	ok? off	
MONITOR/5/CH4	ok? —	
COMMUNCTNS/START ACQ/0/0/YES	✓	
KIN OMEGA	NOX	CPSC
ACQ	start on	
EVENTS/BLKS US/BLKS AV	1 / 11 / 501	incl.
Ext clock marks	—	
Departure time	1200	
COMMENTS	—	
		Cont overleaf?

HENGILL EARTHQUAKE FIELD PROJECT 1991
STATION SERVICE REPORT

ITEM	STATUS	COMMENTS
Station	Katlatjörn	
Date & time (GMT)	249 1435	
Personnel	Ejil	
DAS S/N	276	
Old disk S/N	113	
New disk S/N	083	
Battery voltage	volts? 12.02	
UTILITIES/DAS STATE	✓	
time accurate?	✓	
KIN OMEGA	NOR	
ACQ	start on	
EVENTS/BLKS US/BLKS AV	895/258/422	
Ext clock marks	—	
COMMUNCTNS/STOP ACQ/YES	ok? ✓	
UTILITIES/DAS STATE	ACQ? stop off	
Swap recording disks	✓	
Label disks	ok? ✓	
Change batt if necessary	yes v = 12.62v	
UTILITIES/FRMT SCSI/WREN/YES	ok? ✓	
UTILITIES/CLEAR RAM/YES	ok? ✓	
DIAGNOSTS/ACQUISITN/C4/12V	ok? —	
MONITOR/5/CH4	ok? —	
COMMUNCTNS/START ACQ/0/0/YES	✓	
KIN OMEGA	500	
ACQ	start on	
EVENTS/BLKS US/BLKS AV	1717/495	
Ext clock marks	—	
Departure time	1441	
COMMENTS	—	
	Notice needed,	Cont overleaf?

HENGILL EARTHQUAKE FIELD PROJECT 1991
STATION SERVICE REPORT

ITEM	STATUS	COMMENTS
Station	KATLATJÖRN	
Date & time (GMT)	252 1425	
Personnel	BJ	
DAS S/N	276	
Old disk S/N	083	
New disk S/N	5018	
Battery voltage	volts? 12.40	
UTILITIES/DAS STATE		
time accurate?	✓	
KIN OMEGA	NOR	
ACQ	STRT OFF	cp sci
EVENTS/BLKS US/BLKS AV	026/512/2	
Ext clock marks	—	
COMMUNCTNS/STOP ACQ/YES	ok? SDDEPT	
UTILITIES/DAS STATE	ACQ? STOP OFF	
Swap recording disks	✓	
Label disks	ok? ✓	
Change batt if necessary	—	
UTILITIES/FRMT SCSI/WREN/YES	ok? Y	
UTILITIES/CLEAR RAM/YES	ok? ✓	
DIAGNOSTS/ACQUISITN/C4/12V	ok? —	
MONITOR/5/CH4	ok? —	
COMMUNCTNS/START ACQ/0/0/YES	✓	
KIN OMEGA	NOR	
ACQ	STRT ON	cp sci
EVENTS/BLKS US/BLKS AV	1/11/501	
Ext clock marks	—	
Departure time		
COMMENTS		
		Cont overleaf?

HENGILL EARTHQUAKE FIELD PROJECT 1991
STATION SERVICE REPORT

ITEM	STATUS	COMMENTS
Station	Katatona	
Date & time (GMT)	255:1930	
Personnel	J. M. & Bruce	
DAS S/N	276	
Old disk S/N	5018	
New disk S/N	5103	
Battery voltage	volts? 12.03	
UTILITIES/DAS STATE	✓	
time accurate?	yes	
KIN OMEGA	NOR	
ACQ	stop on	
EVENTS/BLKS US/BLKS AV	924/226/286	→ station calibrated
Ext clock marks	—	
COMMUNCTNS/STOP ACQ/YES	ok? ✓	
UTILITIES/DAS STATE	ACQ? stop off	
Swap recording disks	✓	
Label disks	ok? ✓	
Change batt if necessary	yes 12.167V	batt changed without losing power!
UTILITIES/FRMT SCSI/WREN/YES	ok? ✓	
UTILITIES/CLEAR RAM/YES	ok? ✓	
DIAGNOSTS/ACQUISITN/C4/12V	ok? —	
MONITOR/5/CH4	ok? —	
COMMUNCTNS/START ACQ/0/0/YES	✓	
KIN OMEGA	NOR	
ACQ	stop on	CP SCI
EVENTS/BLKS US/BLKS AV	1/29/483	
Ext clock marks	—	
Departure time	1947	
COMMENTS	—	
CALIBRATION DONE		Cont overleaf? <input checked="" type="checkbox"/>

amp 7

normal : 1) -21.7 : 1933 : 25
2) -21.7 : 1933 : 41

reversed : 1) 21.7 : 1933 : 57
2) 21.7 : 1934 : 13

S: normal : 1) -21.5 : 1934 : 29
2) -21.5 : 1934 : 44

reversed : 1) 21.5 : 1935 : 03
2) 21.5 : 1935 : 16

W: normal : 1) -21.8 : 1935 : 33
2) -21.8 : 1935 : 49

reversed : 1) 21.8 : 1936 : 07
2) 21.8 : 1936 : 23

amp 5

1) -4.9 : 1936 : 42
2) -4.9 : 1936 : 55

1) 4.9 : 1937 : 10
2) 4.9 : 1937 : 25

1) -4.9 : 1937 : 43
2) -4.9 : 1938 : 00

1) 4.9 : 1938 : 13
2) 4.9 : 1938 : 27

1) -4.9 : 1938 : 45
2) -4.9 : 1939 : 03

1) 4.9 : 1939 : 16
2) 4.9 : 1939 : 30

HENGILL EARTHQUAKE FIELD PROJECT 1991
STATION SERVICE REPORT

ITEM	STATUS	COMMENTS
Station	Kattlatjörn	
Date & time (GMT)	258 1348	
Personnel	BH	
DAS S/N	276	new
Old disk S/N	5703	small
New disk S/N	5175	- - -
Battery voltage	volts? 12.58V	Big
UTILITIES/DAS STATE	✓	
time accurate?	yes	
KIN OMEGA	Not	CP SC
ACQ	start on	
EVENTS/BLKS US/BLKS AV	792 \ 241 \ 271	
Ext clock marks	-	
COMMUNCTNS/STOP ACQ/YES	ok? ✓	
UTILITIES/DAS STATE	ACQ? stop off	
Swap recording disks	✓	
Label disks	ok? ✓	
Change batt if necessary	no	
UTILITIES/FRMT SCSI/WREN/YES	ok? ✓	
UTILITIES/CLEAR RAM/YES	ok? ✓	
DIAGNOSTS/ACQUISITN/C4/12V	ok? off	
MONITOR/5/CH4	ok? -	
COMMUNCTNS/START ACQ/0/0/YES	✓	
KIN OMGA	Not	CP SC
ACQ	start on	
EVENTS/BLKS US/BLKS AV	1 \ 11 \ 501	incl
Ext clock marks	-	
Departure time	1357	
COMMENTS	-	
		Cont overleaf?

HENGILL EARTHQUAKE FIELD PROJECT 1991
STATION SERVICE REPORT

ITEM	STATUS	COMMENTS
Station	H025	Katlatjörn
Date & time (GMT)		EXPLOSION DAY!
Personnel		259: 1746
DAS S/N		Personnel L. M. + Bruce
Old disk S/N		
New disk S/N		
Battery voltage		
UTILITIES/DAS STATE		5205? volts? 12.44
time accurate?		✓
KIN OMEGA		yes
ACQ		NoR
EVENTS/BLKS US/BLKS AV		CP8U, sbrt on
Ext clock marks		335/258/251 → 36rems: continuo Min mark
COMMUNCTNS/STOP ACQ/YES		FIRE port connected to comm port on DAS.
UTILITIES/DAS STATE		ok? ✓ ← 1751 → event recorded # 337
Swap recording disks		ACQ? sbrt off 1752 → " " # 338
Label disks		1753 → " " # 339
Change batt if necessary		1754 → " " # 340
UTILITIES/FRMT SCSI/WREN/YES		✓
UTILITIES/CLEAR RAM/YES		ok? ✓
DIAGNOSTS/ACQUISITN/C4/12V		ok? ✓
MONITOR/5/CH4		ok? -
COMMUNCTNS/START ACQ/0/0/YES		ok? -
KIN OMEGA		✓
ACQ		clock connected again
EVENTS/BLKS US/BLKS AV		1921 → event recorded # 359
Ext clock marks		1922 → " " # 360
Departure time		1923 → " " # 361
COMMENTS		1924 → " " # 362
		clock dis connected
		-
		1927
Water depth at explosion - 92'		Cont overleaf?
Distance from shore from lake neck towards pass over from under bridge → 244'		

DS 0008 events

337: 259/17:50:59.101
338: 51:59.101
339: 52:59.101
340: 53:59.101

359: 259/19:20:59.095
360: 21:59.095
361: 22:59.095
362: 23:59.095

Explosion @ ~ 18:59:59.096

STATION SERVICE REPORT

②

ITEM	STATUS	COMMENTS
Station	Kathlamet	E+IT IC c4, 1/m = fuke
Date & time (GMT)	261 1000	
Personnel	BH	
DAS S/N	276	Nerc
Old disk S/N	5205	small
New disk S/N	083?	Thin
Battery voltage	volts? 12.28V	Big
UTILITIES/DAS STATE	✓	
time accurate?	Yes	
KIN OMEGA	NOG	CPSC
ACQ	shf on	
EVENTS/BLKS US/BLKS AV	463 / 196 / 316	
Ext clock marks	-	
COMMUNCTNS/STOP ACQ/YES	ok? ✓	
UTILITIES/DAS STATE	ACQ? stop off	
Swap recording disks	✓	
Label disks	ok? ✓	
Change batt if necessary	no	
UTILITIES/FRMT SCSI/WREN/YES	ok? ✓	
UTILITIES/CLEAR RAM/YES	ok? ✓	
DIAGNOSTS/ACQUISITN/C4/12V	ok? off	
MONITOR/5/CH4	ok? -	
COMMUNCTNS/START ACQ/0/0/YES	✓	
KIN OMGA	NOG	CPSC
ACQ	shf on	
EVENTS/BLKS US/BLKS AV	1 \ 11 \ 501	
Ext clock marks	-	
Departure time	1010	
COMMENTS	-	
		Cont overleaf?

HENGILL EARTHQUAKE FIELD PROJECT 1991
STATION SERVICE REPORT

ITEM	STATUS	COMMENTS
Station	Kathajom	EHT 1A c2c VMB
Date & time (GMT)	264 1702	
Personnel	BH+Bh	
DAS S/N	276	Nerc
Old disk S/N	83	small
New disk S/N	5174	small
Battery voltage	volts? 11.85 V	Big, New Batt conv. in par.
UTILITIES/DAS STATE	-	
time accurate?	yes	
KIN OMEGA	NOR	CP SC
ACQ	start off	
EVENTS/BLKS US/BLKS AV	826 \ 512 \ 0	
Ext clock marks	-	
COMMUNCTNS/STOP ACQ/YES	ok? →	SDD EOT
UTILITIES/DAS STATE	ACQ? stop off	
Swap recording disks	✓	
Label disks	ok? ✓	
Change batt if necessary	yes	
UTILITIES/FRMT SCSI/WREN/YES	ok? ✓	
UTILITIES/CLEAR RAM/YES	ok? ✓	
DIAGNOSTS/ACQUISITN/C4/12V	ok? off	
MONITOR/5/CH4	ok? -	
COMMUNCTNS/START ACQ/0/0/YES	✓	
KIN OMEGA	ALP 500	IP SC
ACQ	start on	
EVENTS/BLKS US/BLKS AV	1 \ 14 \ 498	incl
Ext clock marks	-	
Departure time	1715	
COMMENTS	-	

Cont overleaf?

HENGILL EARTHQUAKE FIELD PROJECT 1991
STATION SERVICE REPORT

ITEM	STATUS	COMMENTS
Station	H025 Kallakim	EHT 1A-c4 VmB
Date & time (GMT)	267 1500	
Personnel	Benni	
DAS S/N	276	NORC
Old disk S/N	5174	Smearli
New disk S/N	5018	---
Battery voltage	volts? 17.34 V	Big
UTILITIES/DAS STATE	v	
time accurate?	YES	
KIN OMEGA	NOR	CPSC
ACQ	Sn-on	
EVENTS/BLKS US/BLKS AV	837\231\287	
Ext clock marks	-	
COMMUNCTNS/STOP ACQ/YES	ok? v	
UTILITIES/DAS STATE	ACQ? stop off	
Swap recording disks	v	
Label disks	ok? v	
Change batt if necessary	no	
UTILITIES/FRMT SCSI/WREN/YES	ok? v	
UTILITIES/CLEAR RAM/YES	ok? v	
DIAGNOSTS/ACQUISITN/C4/12V	ok? off	
MONITOR/5/CH4	ok? -	
COMMUNCTNS/START ACQ/0/0/YES	v	
KIN OMEGA	NOR	CPSC
ACQ	Sn-on	
EVENTS/BLKS US/BLKS AV	1\11\2546	md
Ext clock marks	-	
Departure time		Hand notes
COMMENTS		
		Cont overleaf?

HENGILL EARTHQUAKE FIELD PROJECT 1991
STATION SERVICE REPORT

ITEM	STATUS	COMMENTS
Station	H025	KATLATJORN
Date & time (GMT)	270 1702	
Personnel	BJ	
DAS S/N	276	
Old disk S/N	5018	
New disk S/N	5203	
Battery voltage	volts? 12.19	LARGE
UTILITIES/DAS STATE		
time accurate?	Y	
KIN OMEGA	NOR	
ACQ	START ON	CP SCI
EVENTS/BLKS US/BLKS AV	387/207/305	
Ext clock marks	_____	
COMMUNCTNS/STOP ACQ/YES	ok? Y	
UTILITIES/DAS STATE	ACQ? STOP? OFF	
Swap recording disks	✓	
Label disks	ok? ✓	
Change batt if necessary	✓ 12.76V	LARGE
UTILITIES/FRMT SCSI/WREN/YES	ok? Y	
UTILITIES/CLEAR RAM/YES	ok? ✓	
DIAGNOSTS/ACQUISITN/C4/12V	ok? _____	
MONITOR/5/CH4	ok? _____	
COMMUNCTNS/START ACQ/0/0/YES	✓	
KIN OMEGA	500	
ACQ	START ON	CP SCI
EVENTS/BLKS US/BLKS AV	1/11/501	
Ext clock marks	_____	
Departure time	1715	
COMMENTS		
		Cont overleaf?

**HENGILL EARTHQUAKE FIELD PROJECT 1991
STATION SERVICE REPORT**

ITEM	STATUS	COMMENTS
Station	H425	Katlatjörn
Date & time (GMT)		275: 1736
Personnel		L. M. Brulle & Benni
DAS S/N		276
Old disk S/N		5203
New disk S/N		—
Battery voltage	volts?	12.21
UTILITIES/DAS STATE		✓
time accurate?		yes
KIN OMEGA		NoR
ACQ		5676 off
EVENTS/BLKS US/BLKS AV		949/512/0
Ext clock marks		←
COMMUNCTNS/STOP ACQ/YES	ok?	SDP EDT
UTILITIES/DAS STATE	ACQ?	SDP off
Swap recording disks		
Label disks	ok?	
Change batt if necessary		
UTILITIES/FRMT SCSI/WREN/YES	ok?	
UTILITIES/CLEAR RAM/YES	ok?	
DIAGNOSTS/ACQUISITN/C4/12V	ok?	
MONITOR/5/CH4	ok?	
COMMUNCTNS/START ACQ/0/0/YES		
KIN OMEGA		
ACQ		
EVENTS/BLKS US/BLKS AV		
Ext clock marks		
Departure time		
COMMENTS		
Sensor SN / 496 Sensor orientation 356° STATION TAKEN UP		Cont overleaf?

**HENGILL EARTHQUAKE FIELD PROJECT 1991
STATION SERVICE REPORT**

ITEM	STATUS	COMMENTS
Station ^{H026} SELFLATIR		
Date & time (GMT)	31 JULY 1354	DAY 212
Personnel	BS, RA, BH	
DAS S/N	299	EHT 2A CABLE 2A
Old disk S/N	5197	
New disk S/N	5172	
Battery voltage	volts? 12.22	
UTILITIES/DAS STATE		
time accurate?	Y	
KIN OMEGA	NOR	
ACQ	STRT OFF	AWAKE SCI
EVENTS/BLKS US/BLKS AV	0/61/451	
Ext clock marks	_____	
COMMUNCTNS/STOP ACQ/YES	ok? Y	
UTILITIES/DAS STATE	ACQ? STOP OFF	
Swap recording disks	NOT DONE	DISK STILL EMPTY
Label disks	ok? ✓	REV PARAMS, CHECK IMPORTANT ONES,
Change batt if necessary	12.59	DEACTIVATE STREAM 2, SEND PARAMS
UTILITIES/FRMT SCSI/WREN/YES	ok? Y	
UTILITIES/CLEAR RAM/YES	ok? ✓	
DIAGNOSTS/ACQUISITN/C4/12V	ok? Y	
MONITOR/5/CH4	ok? _____	
COMMUNCTNS/START ACQ/0/0/YES		
KIN OMEGA	1	
ACQ	STRT ON	CONT PWR SCI
EVENTS/BLKS US/BLKS AV	1/32/480	
Ext clock marks	_____	
Departure time	1415	
COMMENTS		
		Cont overleaf?

**HENGILL EARTHQUAKE FIELD PROJECT 1991
STATION SERVICE REPORT**

ITEM	STATUS	COMMENTS
Station	SELFATER	
Date & time (GMT)	216 20:52	
Personnel	Allen/Hodgkinson	
DAS S/N	299	
Old disk S/N	5197	
New disk S/N	114	
Battery voltage	volts? 12.35	
UTILITIES/DAS STATE	/	
time accurate?	✓	
KIN OMEGA	NOR	CONT. SERI
ACQ	START OFF	
EVENTS/BLKS US/BLKS AV	114 / 115 / 394	
Ext clock marks	—	
COMMUNCTNS/STOP ACQ/YES	ok? ✓	
UTILITIES/DAS STATE	ACQ? STOP OFF	
Swap recording disks	✓	
Label disks	ok? ✓	
Change batt if necessary	—	
UTILITIES/FRMT SCSI/WREN/YES	ok? ✓	
UTILITIES/CLEAR RAM/YES	ok? ✓	
DIAGNOSTS/ACQUISITN/C4/12V	ok? ✓	
MONITOR/5/CH4	ok? —	
COMMUNCTNS/START ACQ/0/0/YES	✓	
KIN OMEGA	NOR	
ACQ	START ON	
EVENTS/BLKS US/BLKS AV	1 / 14 / 44	
Ext clock marks	—	
Departure time	21:02	
COMMENTS		
		Cont overleaf?

HENGILL EARTHQUAKE FIELD PROJECT 1991
STATION SERVICE REPORT

ITEM	STATUS	COMMENTS
Station	self flatir	
Date & time (GMT)	219 19:10	
Personnel	R Allen / Hodgkinson	
DAS S/N	299	
Old disk S/N	114	
New disk S/N	113	
Battery voltage	volts? 12.91	12.21
UTILITIES/DAS STATE	—	
time accurate?		
KIN OMEGA	NOA	Cont.
ACQ	Stop Off	Repeated Procedure - Still Same
EVENTS/BLKS US/BLKS AV	86/194/318	
Ext clock marks	—	
COMMUNCTNS/STOP ACQ/YES	ok? ✓	
UTILITIES/DAS STATE	ACQ? Stop Off.	
Swap recording disks	✓	
Label disks	ok? ✓	
Change batt if necessary	12.57 v.	Small Battery
UTILITIES/FRMT SCSI/WREN/YES	ok? ✓	IO error #57 in line 1826
UTILITIES/CLEAR RAM/YES	ok? ✓	
DIAGNOSTS/ACQUISITN/C4/12V	ok? ✓	
MONITOR/5/CH4	ok? —	
COMMUNCTNS/START ACQ/0/0/YES	✓	
KIN OMEGA	NOA	
ACQ	Start On	
EVENTS/BLKS US/BLKS AV	1/14/498	
Ext clock marks	—	
Departure time	19:25	
COMMENTS		
	—	Cont overleaf?

HENGILL EARTHQUAKE FIELD PROJECT 1991

STATION SERVICE REPORT

ITEM	STATUS	COMMENTS
Station	H026	self start
Date & time (GMT)	220 2005	EHT 1A + cable 1C
Personnel	Benni	
DAS S/N	299	NERC
Old disk S/N	113	
New disk S/N		
Battery voltage	volts? 12.55	
UTILITIES/DAS STATE	✓	
time accurate?	yes	
KIN OMEGA	NOR	cont pwr sci
ACQ	start on	
EVENTS/BLKS US/BLKS AV	297/204/308	I quit here!
Ext clock marks		
COMMUNCTNS/STOP ACQ/YES	ok?	
UTILITIES/DAS STATE	ACQ?	
Swap recording disks		A funny thing happened!
Label disks	ok?	The disk suddenly would itself
Change batt if necessary		up while the EHT was
UTILITIES/FRMT SCSI/WREN/YES	ok?	in DAS STATUS and
UTILITIES/CLEAR RAM/YES	ok?	the blks us and blks av changed
DIAGNOSTS/ACQUISITN/C4/12V	ok?	from 204/308 to 74/450
MONITOR/5/CH4	ok?	and blks us is increasing now!
COMMUNCTNS/START ACQ/0/0/YES		
KIN OMEGA		
ACQ		
EVENTS/BLKS US/BLKS AV		
Ext clock marks		
Departure time	2015	
COMMENTS		
		Someone had ripped the sign of the tarp and ripped the tarp itself at the same time. I replace tarp + sign
		Cont overleaf?

HENGILL EARTHQUAKE FIELD PROJECT 1991
STATION SERVICE REPORT



ITEM	STATUS	COMMENTS
Station	H026	SELFLATIR
Date & time (GMT)	16:23, 10 AUG	DAY 222
Personnel	B&K JULIAN	
DAS S/N	299 (NERC)	ENT-11A CABLE 2C
Old disk S/N	113	
New disk S/N	083	
Battery voltage	volts? 12.34	SMALL BATTERY
UTILITIES/DAS STATE	✓	
time accurate?	Y	
KIN OMEGA	NOR.	NORWAY
ACQ	start off.	CPSCI
EVENTS/BLKS US/BLKS AV	390 / 177 / 335	
Ext clock marks	—	
COMMUNCTNS/STOP ACQ/YES	ok? ✓	
UTILITIES/DAS STATE	ACQ? STOP OFF	
Swap recording disks	Y	
Label disks	ok? ✓	
Change batt if necessary	✓ 12.72V	LARGE BATTERY
UTILITIES/FRMT SCSI/WREN/YES	ok? ✓ Y	
UTILITIES/CLEAR RAM/YES	ok? ✓	
DIAGNOSTS/ACQUISITN/C4/12V	ok? Y	
MONITOR/5/CH4	ok? —	
COMMUNCTNS/START ACQ/0/0/YES	Y	
KIN OMEGA	500	
ACQ	START ON	
EVENTS/BLKS US/BLKS AV	1/35/474	
Ext clock marks	—	
Departure time	16:45	
COMMENTS		
		Cont overleaf?

HENGILL EARTHQUAKE FIELD PROJECT 1991
STATION SERVICE REPORT

ITEM	STATUS	COMMENTS
Station	H026	SELFATIR
Date & time (GMT)		used ENT 2A and cable 5
Personnel		223, 1400
DAS S/N		Rex + Kathleen
Old disk S/N		
New disk S/N		
Battery voltage	volts? 12	Battery on voltmeter dead
UTILITIES/DAS STATE		
time accurate?	✓	
KIN OMEGA	NOR	
ACQ	START OFF	
EVENTS/BLKS US/BLKS AV	79/137/375	
Ext clock marks		
COMMUNCTNS/STOP ACQ/YES	ok?	did not stop ACQ since it was
UTILITIES/DAS STATE	ACQ? STOP OFF	already on start off.
Swap recording disks		
Label disks	ok?	} Changed SCSI cable.
Change batt if necessary		
UTILITIES/FRMT SCSI/WREN/YES	ok? —	} Skipped these
UTILITIES/CLEAR RAM/YES	ok? —	
DIAGNOSTS/ACQUISITN/C4/12V	ok? —	
MONITOR/5/CH4	ok? —	
COMMUNCTNS/START ACQ/0/0/YES	✓	After starting ACQ it switched off
KIN OMEGA		after 1 minute.
ACQ		Repeated the process, this time with
EVENTS/BLKS US/BLKS AV		STOP ACQ entered and then STARTING ACQ
Ext clock marks		The message given was "communications failure."
Departure time		The process repeated again, we got
COMMENTS		START ON, then unplugged ENT.
		Waited for 7 minutes then plugged in ENT.
		The reading was START ON
		Cont overleaf?

HENGILL EARTHQUAKE FIELD PROJECT 1991
STATION SERVICE REPORT

ITEM	STATUS	COMMENTS
Station	H076	SELF ATIR.
Date & time (GMT)		-225-1307
Personnel		B/P.
DAS S/N		NERC 299
Old disk S/N		83
New disk S/N		5047
Battery voltage		volts? 12.51V
UTILITIES/DAS STATE		
time accurate?		✓
KIN OMEGA		NOR
ACQ		STOP OFF
EVENTS/BLKS US/BLKS AV		122/246/266
Ext clock marks		-
COMMUNCTNS/STOP ACQ/YES		ok? ✓
UTILITIES/DAS STATE		ACQ? STOP OFF
Swap recording disks		-
Label disks		ok? ✓
Change batt if necessary		NO
UTILITIES/FRMT SCSI/WREN/YES		ok? ✓
UTILITIES/CLEAR RAM/YES		ok? ✓
DIAGNOSTS/ACQUISITN/C4/12V		ok? ✓
MONITOR/5/CH4		ok? -
COMMUNCTNS/START ACQ/0/0/YES		-
KIN OMEGA		NOR
ACQ		START ON
EVENTS/BLKS US/BLKS AV		1720/1492
Ext clock marks		-
Departure time		13-13
COMMENTS		-
		I had done all this when I realised that I had forgotten to deact.. str. 2. I stopped acq. rec. prms. Dat str. 2 was already deactivated → sent prms. frmt scsi, clear RAM CH4 → 12V (it was [off] again) and start acq
		Ext pin 2! cont pwr scsi, acq start on
		<div style="border: 1px solid black; padding: 5px; display: inline-block;"> EXT 2C CABLE 4 </div> Cont overleaf?
		ev... 1/20/1992 blks us incr

HENGILL EARTHQUAKE FIELD PROJECT 1991
STATION SERVICE REPORT

ITEM	STATUS	COMMENTS
Station	H026 SELF-FLATIR	H026
Date & time (GMT)	14 AUG 1505	DAY 226
Personnel	BS + BH	
DAS S/N	299	NERC
Old disk S/N	5047	
New disk S/N	←	NOT CHANGED,
Battery voltage	volts? 12.44	
UTILITIES/DAS STATE		
time accurate?	Y	
KIN OMEGA	NERC	
ACQ	STRT OFF!	CP sel
EVENTS/BLKS US/BLKS AV	6/512/0	
Ext clock marks	—	
COMMUNCTNS/STOP ACQ/YES	ok? Y	
UTILITIES/DAS STATE	ACQ? STOP OFF	REV PRMS FROM DAS,
Swap recording disks	—	SWITCH DASES, NEW S/N 362.
Label disks	ok? —	SEND PRMS TO DAS.
Change batt if necessary	Y 12.54V	ACTIVATE STREAM 2.
UTILITIES/FRMT SCSI/WREN/YES	ok? — NO	SEND PRMS TO DAS AGAIN.
UTILITIES/CLEAR RAM/YES	ok? ✓	
DIAGNOSTS/ACQUISITN/C4/12V	ok? ✓	
MONITOR/5/CH4	ok? —	
COMMUNCTNS/START ACQ/0/0/YES	✓	TIME OFF ~10S, STOP ACQ. SET TIME, CLR RAM, START ACQ,
KIN OMEGA	500	
ACQ	STRT ON	CP sel
EVENTS/BLKS US/BLKS AV	1/14/2546	
Ext clock marks	—	
Departure time	1522	
COMMENTS		

Cont overleaf?

HENGILL EARTHQUAKE FIELD PROJECT 1991
STATION SERVICE REPORT

ITEM	STATUS	COMMENTS
Station	Self-titr	
Date & time (GMT)	Aug. 5 - 19:28	Day 227
Personnel	B. K. Julian	
DAS S/N	367	EHT 4e cable 2C?
Old disk S/N	6047	
New disk S/N	5133	Large NERC disk
Battery voltage	volts? 12.54	large battery
UTILITIES/DAS STATE	✓	
time accurate?	Y	
KIN OMEGA	Norway	
ACQ	start on	CP SCI
EVENTS/BLKS US/BLKS AV	850/945/1615	
Ext clock marks	_____	
COMMUNCTNS/STOP ACQ/YES	ok? Y	
UTILITIES/DAS STATE	ACQ? stop off	
Swap recording disks	Y	
Label disks	ok? Y	
Change batt if necessary	N	
UTILITIES/FRMT SCSI/WREN/YES	ok? Y	
UTILITIES/CLEAR RAM/YES	ok? ✓	
DIAGNOSTS/ACQUISITN/C4/12V	ok? ✓	
MONITOR/5/CH4	ok? _____	
COMMUNCTNS/START ACQ/0/0/YES	Y	
KIN OMEGA	NORWAY	
ACQ	start on	CP SCI
EVENTS/BLKS US/BLKS AV	1/11/2549	
Ext clock marks	_____	
Departure time	19:37	
COMMENTS		
		Cont overleaf?

HENGILL EARTHQUAKE FIELD PROJECT 1991
STATION SERVICE REPORT

ITEM	STATUS	COMMENTS
Station #026	Self Plat'y	EHIT 2B cable 5
Date & time (GMT)	229 1216	
Personnel	Banni	
DAS S/N	367	
Old disk S/N	5133	Big disk
New disk S/N	130	small disk
Battery voltage	volts? 12.45V	
UTILITIES/DAS STATE	✓	
time accurate?	✓	
KIN OMEGA	No	CP SC
ACQ	start on	
EVENTS/BLKS US/BLKS AV	834/349/2208	
Ext clock marks	—	
COMMUNCTNS/STOP ACQ/YES	ok? ✓	waited one minute
UTILITIES/DAS STATE	ACQ? stop off	
Swap recording disks		
Label disks	ok? ✓	
Change batt if necessary	NO	
UTILITIES/FRMT SCSI/WREN/YES	ok? ✓	
UTILITIES/CLEAR RAM/YES	ok? ✓	
DIAGNOSTS/ACQUISITN/C4/12V	ok? ✓	
MONITOR/5/CH4	ok? —	
COMMUNCTNS/START ACQ/0/0/YES	✓	
KIN OMEGA	No	CP SC
ACQ	start on	
EVENTS/BLKS US/BLKS AV	1/11/2549	blks us lacy
Ext clock marks	—	
Departure time	1223	
COMMENTS	—	
		Cont overleaf?

HENGILL EARTHQUAKE FIELD PROJECT 1991
STATION SERVICE REPORT

ITEM	STATUS	COMMENTS
Station	Selflatir	
Date & time (GMT)	232: 0958	
Personnel	Bill	
DAS S/N	367	
Old disk S/N	130	
New disk S/N	5205	
Battery voltage	volts? 12.25	Big
UTILITIES/DAS STATE	✓	
time accurate?	yes	
KIN OMEGA	LIB	
ACQ	sbrc on	
EVENTS/BLKS US/BLKS AV	1153/2250/310	
Ext clock marks	—	
COMMUNCTNS/STOP ACQ/YES	ok? ✓ SODEOT!	
UTILITIES/DAS STATE	ACQ? stop off	1153/1547/1013
Swap recording disks	✓	- maybe just about to fill disk?
Label disks	ok?	
Change batt if necessary	NO	
UTILITIES/FRMT SCSI/WREN/YES	ok? ✓	
UTILITIES/CLEAR RAM/YES	ok? ✓	
DIAGNOSTS/ACQUISITN/C4/12V	ok? ✓	
MONITOR/5/CH4	ok? —	
COMMUNCTNS/START ACQ/0/0/YES	✓	
KIN OMGA	LIB	
ACQ	sbrc on	
EVENTS/BLKS US/BLKS AV	1/14/2546	
Ext clock marks	—	
Departure time	1006	
COMMENTS		
ALL OK. Odd to get SODEOT when sbrc not off.		Cont overleaf?

**HENGILL EARTHQUAKE FIELD PROJECT 1991
STATION SERVICE REPORT**

ITEM	STATUS	COMMENTS		
Station	<i>Selflabir</i>			
Date & time (GMT)	<i>235:17.29</i>			
Personnel	<i>4/11</i>			
DAS S/N	<i>367</i>			
Old disk S/N	<i>5205</i>			
New disk S/N	<i>5038</i>			
Battery voltage	<i>volts? 12.04</i>			
UTILITIES/DAS STATE	<i>✓</i>			
time accurate?	<i>yes.</i>			
KIN OMEGA	<i>L1B</i>	<i>cont. pwr sci</i>		
ACQ	<i>start on</i>			
EVENTS/BLKS US/BLKS AV	<i>1462 / 1798 / 762</i>			
Ext clock marks	<i>—</i>			
COMMUNCTNS/STOP ACQ/YES	<i>ok? SDDT</i>			
UTILITIES/DAS STATE	<i>ACQ? stop off</i>			
Swap recording disks				
Label disks	<i>ok? ✓</i>			
Change batt if necessary	<i>✓ 12.66V</i>			
UTILITIES/FRMT SCSI/WREN/YES	<i>ok? ✓</i>			
UTILITIES/CLEAR RAM/YES	<i>ok? ✓</i>			
DIAGNOSTS/ACQUISITN/C4/12V	<i>ok? ✓</i>			
MONITOR/5/CH4	<i>ok? —</i>			
COMMUNCTNS/START ACQ/0/0/YES	<i>✓</i>			
KIN OMEGA	<i>500</i>			
ACQ	<i>start on</i>			
EVENTS/BLKS US/BLKS AV	<i>1 / 17 / 2543</i>			
Ext clock marks	<i>—</i>			
Departure time	<i>1736</i>			
COMMENTS	<i>—</i>			
		<table border="1"> <tr> <td>Cont overleaf?</td> <td></td> </tr> </table>	Cont overleaf?	
Cont overleaf?				

HENGILL EARTHQUAKE FIELD PROJECT 1991
STATION SERVICE REPORT

ITEM	STATUS	COMMENTS
Station	Selflatir	
Date & time (GMT)	238 1806	
Personnel	<i>Bill</i>	
DAS S/N	367	
Old disk S/N	5038	
New disk S/N	5030	
Battery voltage	volts? 12.51	
UTILITIES/DAS STATE	✓	
time accurate?	yes	
KIN OMEGA	NO R	cont pwr Sci
ACQ	STRK ON	
EVENTS/BLKS US/BLKS AV	1135/985/1572	
Ext clock marks	✓	
COMMUNCTNS/STOP ACQ/YES	ok? ✓	
UTILITIES/DAS STATE	ACQ? stop off	
Swap recording disks	✓	
Label disks	ok? ✓	
Change batt if necessary	—	
UTILITIES/FRMT SCSI/WREN/YES	ok? ✓	
UTILITIES/CLEAR RAM/YES	ok? ✓	
DIAGNOSTS/ACQUISITN/C4/12V	ok? ✓	
MONITOR/5/CH4	ok? —	
COMMUNCTNS/START ACQ/0/0/YES	✓	
KIN OMEGA	NO R	
ACQ	STRK ON	
EVENTS/BLKS US/BLKS AV	114/2546	
Ext clock marks	—	
Departure time	1812	
COMMENTS		
	new tarp added	
		Cont overleaf?

**HENGILL EARTHQUAKE FIELD PROJECT 1991
STATION SERVICE REPORT**

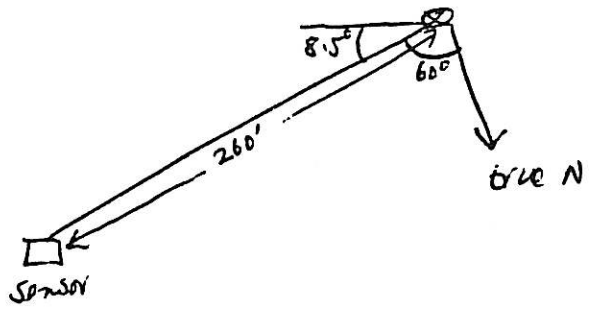
ITEM	STATUS	COMMENTS
Station	SELF LATIR	
Date & time (GMT)	29 AUG 1327	(DAY 24)
Personnel	BJ	
DAS S/N	367	
Old disk S/N	5030	
New disk S/N	5074	
Battery voltage	volts? 12.31	BIG
UTILITIES/DAS STATE		
time accurate?	y	
KIN OMEGA	NOR	
ACQ	STRT ON	CP SCI
EVENTS/BLKS US/BLKS AV	1129/975/1585	
Ext clock marks	—	
COMMUNCTNS/STOP ACQ/YES	ok? ✓	
UTILITIES/DAS STATE	ACQ? STOP OFF	
Swap recording disks	✓	
Label disks	ok? ✓	
Change batt if necessary	—	
UTILITIES/FRMT SCSI/WREN/YES	ok? y	
UTILITIES/CLEAR RAM/YES	ok? ✓	
DIAGNOSTS/ACQUISITN/C4/12V	ok? —	
MONITOR/5/CH4	ok? —	
COMMUNCTNS/START ACQ/0/0/YES	✓	
KIN OMEGA	NOR	
ACQ	STRT ON	
EVENTS/BLKS US/BLKS AV	1/14/2546	
Ext clock marks	—	
Departure time	1334	
COMMENTS		
		Cont overleaf?

HENGILL EARTHQUAKE FIELD PROJECT 1991
STATION SERVICE REPORT

ITEM	STATUS	COMMENTS
Station	Selkatic	
Date & time (GMT)	244: 1900	
Personnel	Gill & Bruce	
DAS S/N	367	
Old disk S/N	5074	
New disk S/N	5018	
Battery voltage	volts? 12.10	
UTILITIES/DAS STATE	✓	
time accurate?	yes	
KIN OMEGA	NOR	
ACQ	5616 on	CP SCI
EVENTS/BLKS US/BLKS AV	1261 / 205 / 2355	
Ext clock marks	—	
COMMUNCTNS/STOP ACQ/YES	ok? ✓	
UTILITIES/DAS STATE	ACQ? stop off	
Swap recording disks	✓	
Label disks	ok? ✓	
Change batt if necessary	✓ 12.65v	
UTILITIES/FRMT SCSI/WREN/YES	ok? ✓	
UTILITIES/CLEAR RAM/YES	ok? ✓	
DIAGNOSTS/ACQUISITN/C4/12V	ok? —	
MONITOR/5/CH4	ok? —	
COMMUNCTNS/START ACQ/0/0/YES	✓	
KIN OMEGA	500	CP SCI
ACQ	5616	
EVENTS/BLKS US/BLKS AV	1 / 11 / 2549	
Ext clock marks	—	
Departure time	~ 1920	
COMMENTS		

GPS point eccentricity measured.
 SENSOR IS AT 60° E of true N, ~~SLANT~~ SLANT DISTANCE
 = 260 FT., vertical angle = 85° (sensor below point). PTD

Cont overleaf?



HENGILL EARTHQUAKE FIELD PROJECT 1991
STATION SERVICE REPORT

ITEM	STATUS	COMMENTS
Station	Self Station	IEHT IA CY
Date & time (GMT)	247 1326	
Personnel	BH	
DAS S/N	367	
Old disk S/N	5018	small
New disk S/N	5202	--
Battery voltage	volts? 12.55	Big
UTILITIES/DAS STATE	✓	
time accurate?	yes	
KIN OMEGA	Not	CPSC
ACQ	start on	
EVENTS/BLKS US/BLKS AV	1146 / 883 / 1677	
Ext clock marks	✓	
COMMUNCTNS/STOP ACQ/YES	ok? ✓	
UTILITIES/DAS STATE	ACQ? stop off	
Swap recording disks	✓	
Label disks	ok? ✓	
Change batt if necessary	no	
UTILITIES/FRMT SCSI/WREN/YES	ok? ✓	
UTILITIES/CLEAR RAM/YES	ok? ✓	
DIAGNOSTS/ACQUISITN/C4/12V	ok? off	
MONITOR/5/CH4	ok? -	
COMMUNCTNS/START ACQ/0/0/YES	✓	
KIN OMEGA	Not	CPSC
ACQ	start on	
EVENTS/BLKS US/BLKS AV	1 / 14 / 2546	incl
Ext clock marks	-	
Departure time	1335	
COMMENTS	-	
		Cont overleaf?

HENGILL EARTHQUAKE FIELD PROJECT 1991
STATION SERVICE REPORT

ITEM	STATUS	COMMENTS
Station	selfativ	
Date & time (GMT)	250 13:50	
Personnel	BH-BFT	
DAS S/N	367	
Old disk S/N	5202	
New disk S/N	5205	
Battery voltage	volts? 12.43	
UTILITIES/DAS STATE	✓	
time accurate?	yes	
KIN OMEGA	NOR	CPSC
ACQ	start on	
EVENTS/BLKS US/BLKS AV	1427\11:30\1424	
Ext clock marks	✓	
COMMUNCTNS/STOP ACQ/YES	ok? ✓	
UTILITIES/DAS STATE	ACQ? stop off	
Swap recording disks	✓	
Label disks	ok? ✓	
Change batt if necessary	no	
UTILITIES/FRMT SCSI/WREN/YES	ok? ✓	
UTILITIES/CLEAR RAM/YES	ok? ✓	
DIAGNOSTS/ACQUISITN/C4/12V	ok? off	
MONITOR/5/CH4	ok? ✓	
COMMUNCTNS/START ACQ/0/0/YES	✓	
KIN OMEGA	NOR	CPSC
ACQ	start on	
EVENTS/BLKS US/BLKS AV	1\23\2537	
Ext clock marks	✓	
Departure time	13:55	
COMMENTS		

Cont overleaf?

HENGILL EARTHQUAKE FIELD PROJECT 1991
STATION SERVICE REPORT

ITEM	STATUS	COMMENTS
Station	Self Start	EHT 1B C3
Date & time (GMT)	253 1555	
Personnel	BH	
DAS S/N	367	
Old disk S/N	5205	small
New disk S/N	083	small
Battery voltage	volts? 12.26V	Big
UTILITIES/DAS STATE	v	
time accurate?	yes	
KIN OMEGA	Not	CPSC
ACQ	start on	
EVENTS/BLKS US/BLKS AV	1549 \ 1329 \ 1231	
Ext clock marks	L	
COMMUNCTNS/STOP ACQ/YES	ok? ✓	
UTILITIES/DAS STATE	ACQ? stop off	
Swap recording disks	✓	
Label disks	ok? ✓	
Change batt if necessary	yes 12.66V	Big
UTILITIES/FRMT SCSI/WREN/YES	ok? ✓	
UTILITIES/CLEAR RAM/YES	ok? ✓	
DIAGNOSTS/ACQUISITN/C4/12V	ok? off	
MONITOR/5/CH4	ok? +	
COMMUNCTNS/START ACQ/0/0/YES	✓	
KIN OMEGA	500	CPSC
ACQ	Start on	
EVENTS/BLKS US/BLKS AV	1 \ 11 \ 2549	incl
Ext clock marks	-	
Departure time	1605	
COMMENTS	-	

Cont overleaf?

HENGILL EARTHQUAKE FIELD PROJECT 1991
STATION SERVICE REPORT

ITEM	STATUS	COMMENTS
Station	Self/latir	
Date & time (GMT)	256:2351	
Personnel	ELMI	
DAS S/N	367	
Old disk S/N	083	
New disk S/N	5018	
Battery voltage	volts? 12.40	
UTILITIES/DAS STATE	✓	
time accurate?	yes	
KIN OMEGA	NDR	C P SCI
ACQ	sbct off	
EVENTS/BLKS US/BLKS AV	1542/2560/0	
Ext clock marks	—	
COMMUNCTNS/STOP ACQ/YES	ok? ✓	SDDEDI
UTILITIES/DAS STATE	ACQ? stop off	
Swap recording disks	✓	
Label disks	ok? ✓	
Change batt if necessary	No	
UTILITIES/FRMT SCSI/WREN/YES	ok? ✓	
UTILITIES/CLEAR RAM/YES	ok? ✓	
DIAGNOSTS/ACQUISITN/C4/12V	ok? —	
MONITOR/5/CH4	ok? —	
COMMUNCTNS/START ACQ/0/0/YES	✓	
KIN OMEGA	NDR	C P SCI
ACQ	sbct off	
EVENTS/BLKS US/BLKS AV	1/9999/2562	!! → stop acquisition disk spun for a long time. Power pulled on disk.
Ext clock marks	—	waiting..... Pulled ENT plug. CDMA failure. DAS STATUS:
Departure time	257:2013	
COMMENTS		NDR / C P SCI / stop off / 1/9999/2562

clear ram ←
DAS STATUS 0/1/2559. Disk reconnected. It spun up.
It spun for a long time. Power disconnected + reconnected
from DAS. Disk spun up once + then stopped as normal. FMT SCSI.
Done normally. Clear RAM. Normal. PTO

Cont overleaf?	✓
----------------	---

DAS Status :

2 500
CP SLI
stop off
0/1/2559

Start acquisition

DAS Status

2 500
CP SLI
start on
1/20/2540

blks vs increasing. All appears normal.

Left @ 257:0012

HENGILL EARTHQUAKE FIELD PROJECT 1991
STATION SERVICE REPORT

ITEM	STATUS	COMMENTS
Station	Selfman	EHT 2A c4 Vm = 4mks
Date & time (GMT)	259 1740	
Personnel	BH	
DAS S/N	367	
Old disk S/N	5018	small
New disk S/N	5103	small
Battery voltage	volts? 12.29	Biz
UTILITIES/DAS STATE	✓	
time accurate?	YES	
KIN OMEGA	NOY	CP 5L
ACQ	SHF on	
EVENTS/BLKS US/BLKS AV	1143 \ 393 \ 2167	
Ext clock marks	-	
COMMUNCTNS/STOP ACQ/YES	ok? ✓	
UTILITIES/DAS STATE	ACQ? stop off	
Swap recording disks	✓	
Label disks	ok? ✓	
Change batt if necessary	no	
UTILITIES/FRMT SCSI/WREN/YES	ok? ✓	
UTILITIES/CLEAR RAM/YES	ok? ✓	
DIAGNOSTS/ACQUISITN/C4/12V	ok? off	
MONITOR/5/CH4	ok? -	
COMMUNCTNS/START ACQ/0/0/YES	✓	
KIN OMEGA	NOY	CP 5L
ACQ	SHF on	
EVENTS/BLKS US/BLKS AV	1 \ 11 \ 2549	incl
Ext clock marks	-	
Departure time	1747	
COMMENTS	-	

Cont overleaf?

HENGILL EARTHQUAKE FIELD PROJECT 1991
STATION SERVICE REPORT

ITEM	STATUS	COMMENTS
Station	Sol/Habr	
Date & time (GMT)	262 : 2115	
Personnel	P. Hill	
DAS S/N	367	
Old disk S/N	5103	
New disk S/N	5030	
Battery voltage	volts? 12.03	
UTILITIES/DAS STATE	✓	
time accurate?	yes	
KIN OMEGA	NoR	CP SCI
ACQ	strt on	
EVENTS/BLKS US/BLKS AV	1352/813/1747	
Ext clock marks	-	
COMMUNCTNS/STOP ACQ/YES	ok? ✓	
UTILITIES/DAS STATE	ACQ? stop off	
Swap recording disks	✓	
Label disks	ok? ✓	
Change batt if necessary	YES 12.53v BIG	
UTILITIES/FRMT SCSI/WREN/YES	ok? ✓	
UTILITIES/CLEAR RAM/YES	ok? ✓	
DIAGNOSTS/ACQUISITN/C4/12V	ok? -	
MONITOR/5/CH4	ok? -	
COMMUNCTNS/START ACQ/0/0/YES	✓	
KIN OMEGA	500	
ACQ	strt on	
EVENTS/BLKS US/BLKS AV	1114/2546	
Ext clock marks	-	
Departure time	2142	
COMMENTS		
CALIBRATION DONE		Cont overleaf?

amp 7

amp 5

Z: normal: 1) -21.3 : 2119:05
2) -21.3 : 2119:30

1) -4.8 : 2124:50
2) -4.8 : 2125:15

reversed: 1) 21.3 : 2120:00
2) 21.3 : 2120:30

1) 4.8 : 2125:40
2) 4.8 : 2126:00

V8: normal: 1) -21.7 : 2121:00
2) -21.7 : 2121:20

1) -4.9 : 2126:30
2) -4.9 : 2126:55

reversed: 1) 21.7 : 2121:50
2) 21.7 : 2122:20

1) 4.9 : 2127:30
2) 4.9 : 2127:45

SW: normal: 1) -21.5 : 2122:50
2) -21.5 : ~~2123:15~~ 2123:15

1) -4.9 : 2128:15
2) -4.9 : 2128:40

reversed: 1) 21.5 : 2123:47
2) 21.5 : 2124:10

1) 4.9 : 2129:10
2) 4.9 : 2129:30

HENGILL EARTHQUAKE FIELD PROJECT 1991
STATION SERVICE REPORT

ITEM	STATUS	COMMENTS
Station	H026	selfstat
Date & time (GMT)	265 1847	EHT 1A c4 1mB
Personnel	Benni	
DAS S/N	367	
Old disk S/N	5030	small
New disk S/N	5195	---
Battery voltage	volts? 12.46V	Big
UTILITIES/DAS STATE	✓	
time accurate?	YES	
KIN OMEGA	NOR	CPSC
ACQ	START ON	
EVENTS/BLKS US/BLKS AV	1305 1 2281 2328	
Ext clock marks	-	
COMMUNCTNS/STOP ACQ/YES	ok? ✓	
UTILITIES/DAS STATE	ACQ? stop off	
Swap recording disks	✓	
Label disks	ok? ✓	
Change batt if necessary	NO	
UTILITIES/FRMT SCSI/WREN/YES	ok? ✓	
UTILITIES/CLEAR RAM/YES	ok? ✓	
DIAGNOSTS/ACQUISITN/C4/12V	ok? off	
MONITOR/5/CH4	ok? -	
COMMUNCTNS/START ACQ/0/0/YES	✓	
KIN OMGA	NOR	CPSC
ACQ	START ON	
EVENTS/BLKS US/BLKS AV	1 14 12546	incr
Ext clock marks	-	
Departure time	1859	
COMMENTS	-	
		Cont overleaf?

**HENGILL EARTHQUAKE FIELD PROJECT 1991
STATION SERVICE REPORT**

ITEM	STATUS	COMMENTS
Station	H026	Schematic
Date & time (GMT)	268 1113	ETIT 1Ac4 VmB
Personnel	Benni	
DAS S/N	367	
Old disk S/N	5195	
New disk S/N	5172	
Battery voltage	volts? 12.28V	Big
UTILITIES/DAS STATE		
time accurate?	yes	
KIN OMEGA	N02	CPSC
ACQ	station	
EVENTS/BLKS US/BLKS AV	1108 \ 1166 \ 1394	
Ext clock marks	-	
COMMUNCTNS/STOP ACQ/YES	ok? ✓	
UTILITIES/DAS STATE	ACQ? stop o.H.	
Swap recording disks	-	
Label disks	ok? ✓	
Change batt if necessary	no	
UTILITIES/FRMT SCSI/WREN/YES	ok? ✓	
UTILITIES/CLEAR RAM/YES	ok? N	
DIAGNOSTS/ACQUISITN/C4/12V	ok? ✓	
MONITOR/5/CH4	ok? ✓	
COMMUNCTNS/START ACQ/0/0/YES	✓	
KIN OMEGA	N02	CPSC
ACQ	station	
EVENTS/BLKS US/BLKS AV	1 \ 11 \ 2549	incl
Ext clock marks	-	
Departure time	1120	
COMMENTS	-	

Cont overleaf?

HENGILL EARTHQUAKE FIELD PROJECT 1991
STATION SERVICE REPORT

ITEM	STATUS	COMMENTS
Station	H026 SELFLATIR	
Date & time (GMT)	272 18:02	
Personnel	GILL & SOLVIG	
DAS S/N	367	
Old disk S/N	5172	
New disk S/N	—	
Battery voltage	volts? 11.95	
UTILITIES/DAS STATE	✓	
time accurate?	JÄ	
KIN OMEGA	NOREI	
ACQ	START OFF	
EVENTS/BLKS US/BLKS AV	1659\2560\0	
Ext clock marks	—	
COMMUNCTNS/STOP ACQ/YES	ok? ✓	SDDEOT
UTILITIES/DAS STATE	ACQ? STOP OFF	
Swap recording disks		
Label disks	ok?	
Change batt if necessary		
UTILITIES/FRMT SCSI/WREN/YES	ok?	
UTILITIES/CLEAR RAM/YES	ok?	
DIAGNOSTS/ACQUISITN/C4/12V	ok?	
MONITOR/5/CH4	ok?	
COMMUNCTNS/START ACQ/0/0/YES		
KIN OMEGA		
ACQ		
EVENTS/BLKS US/BLKS AV		
Ext clock marks		
Departure time		
COMMENTS		
Sensor # 1486	N=N	
STATION TAKEN UP		

Cont overleaf?