

Hi Kasey,

Letting you know I have a resolution to the “swapped channels” query for Nabelek instrument BB700 (2014-Nebelek-Gorda). Martin confirmed that there were two channels that had swapped wires on the molex connector in Sensor Ball 32 were channels 1 & 2 (Y and Z). See attached e-mail string below from Martin. Channels 0 and 3 (X and DPG) are fine. So in the field version of mSEED data ch1 and ch2 need to be swapped. Field data is in a right-handed coordinate system, and recall that we then convert to a left-handed system for DMC submissions. So in a left-handed coordinate system (consistent with the way data has been uploaded), this means that H1 and Z channels at the DMC need to be swapped.

FYI, LC4x4-LP mapping reference...

CH#	RH Coord.	LH Coord. (swapped X & Y)
ch0	→ X	→ H1
ch1	→ Y	→ H2
ch2	→ Z	→ Z
ch3	→ DPG	→ DPG

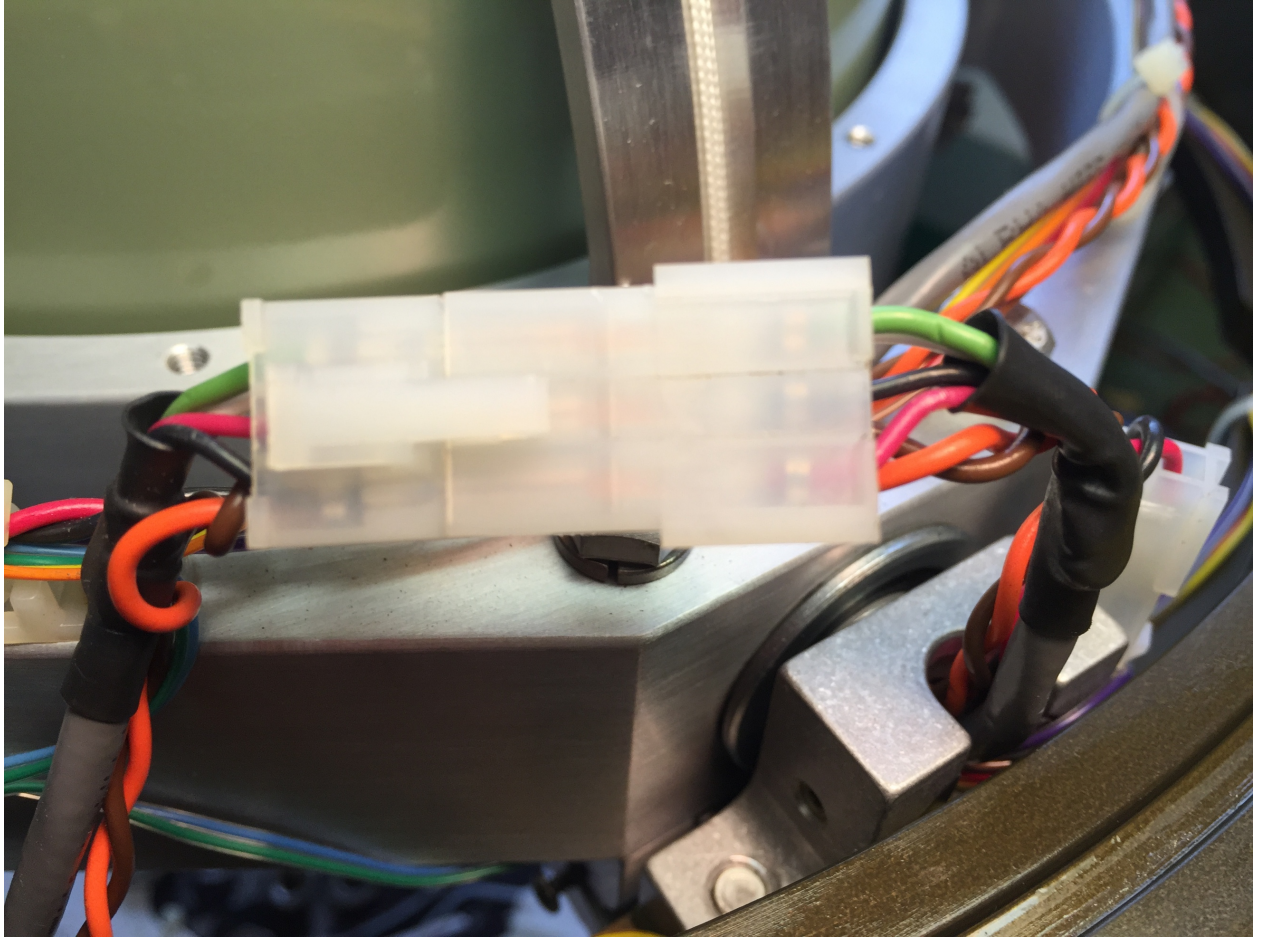
I have forwarded all information to Juan and he will be working with Mea to make the appropriate correction to the data.

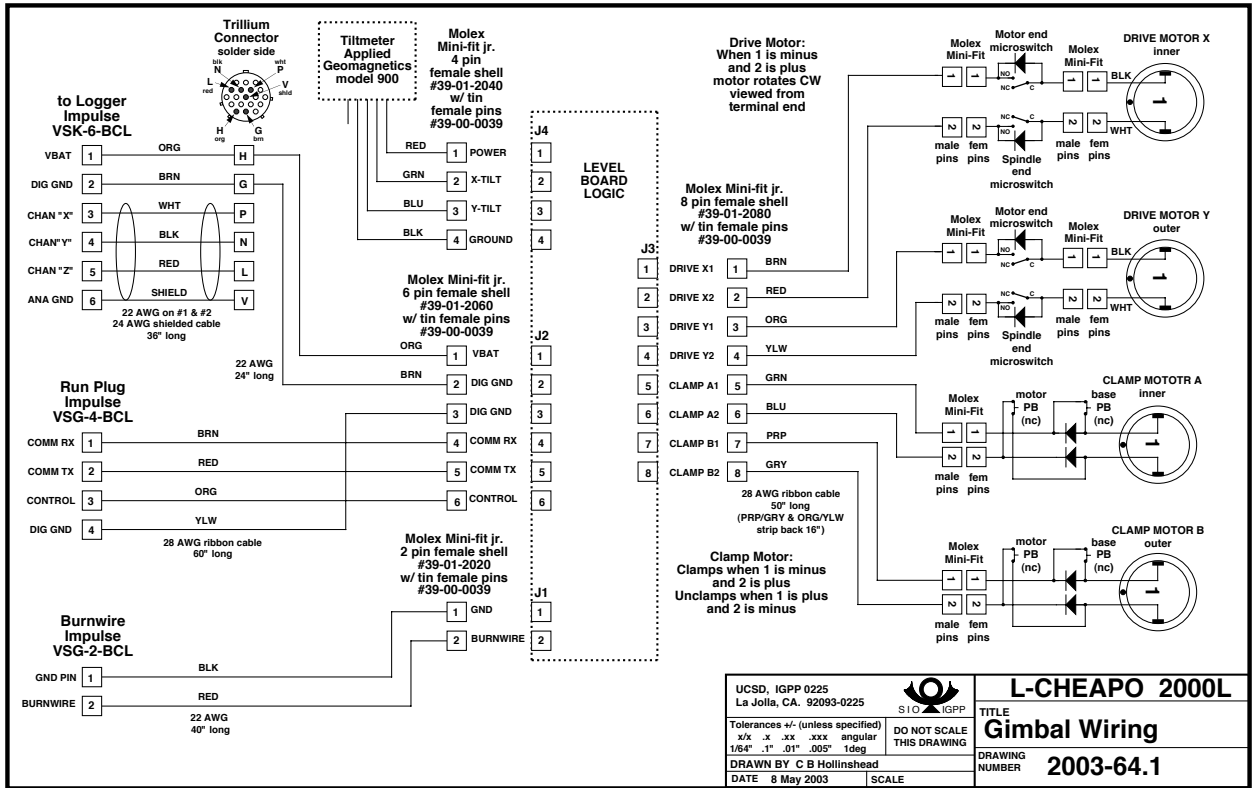
-jeff

Begin forwarded message:

From: Martin Rapa <mrapa@ucsd.edu>
Subject: oops
To: "Babcock, Jeffrey" <jbabcock@ucsd.edu>

Ok, so apparently I got my wires crossed reading Crispin’s schematic. **The swapped channels are actually what he defines as “Y” and “Z”**. The swapped colors were red (Z) and black (Y). Everything is correct on the bulkhead. The only swap was at the molex shown below. I have included the schematic for reference. If you look at the upper left, you will see the L,N,and P pins on the trillium connector (wired correctly) that have the appropriate colors. The wiring is continuous all the way to the molex in the photo, so the only junctions are at the molex and at the bulkhead connector going to the outside world.





UCSD, IGPP 0225
 La Jolla, CA. 92093-0225

Tolerances +/- (unless specified)
 .x/x .x .xx .xxx angular
 1/64" .1" .01" .005" 1deg

DO NOT SCALE THIS DRAWING

DRAWN BY C B Hollinshead
 DATE 8 May 2003 SCALE

L-CHEAPO 2000L

Gimbal Wiring

DRAWING NUMBER **2003-64.1**