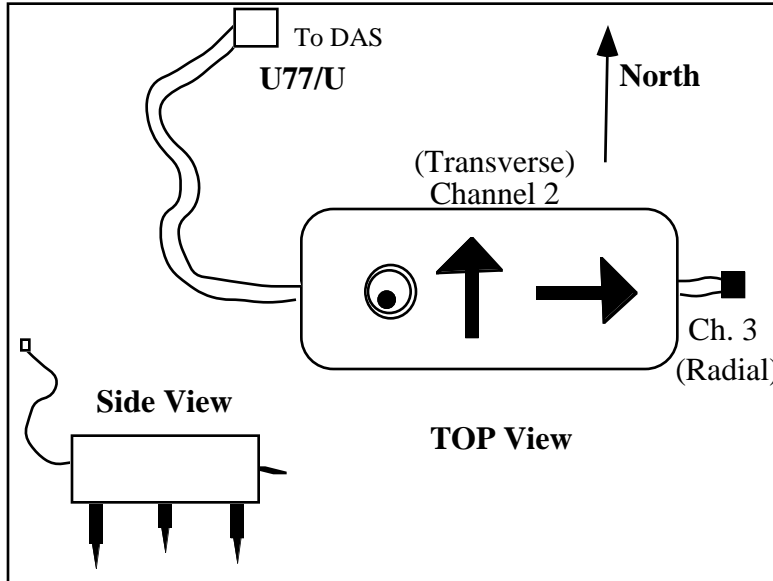


Appendix B
Summary Sheet for PASSCAL Sensor

Mark Products L28



Channel Order
 (positive voltage on DAS channel means ground moved in given direction)

- 1 Down
- 2 North or transverse
- 3 East or radial

Sensitivity

30.4 Volts / meter / sec

Calibration constant

N/A no cal coils

Typical DAS parameters:A-07 / A-06

Gain 32 / 2048 or 8192

Cal Amplitude N/A

Cal Interval N/A

Cal Step Size N/A

Physical Characteristics:

Size Case 8x20x6 cm with 8 cm spikes

Weight 2 kg.

Shipping Weight 60 lbs (10) **Size** 18x24x14 inches

Power consumption (Rbox)

None, passive sensor

Frequency Response:

Natural Freq. 4.5 Hz.

Damping 0.700 critical

Zeros two at zero

Poles -19.99 + 19.99i

-19.99 - 19.99i

Installation Tips:

- 1) Determine approximate azimuth
- 2) Dig shallow trench 4-6 inches deep, 4 inches wide and 14 inches long.
- 3) Check azimuth and push sensor into ground so that it's level.
- 4) Cover sensor and a few feet of the cable with soil.
- 5) Plug sensor into DAS
- 6) Check DAS Monitor or Offset function for proper operation.

Cabling Notes:

A 3 meter (unshielded) cable is connected to sensor on one end and has a U77/U plug on the other end to mate with DAS sensor input.

coil resistance 395 Ohms, shunt resistance 2490 Ohms